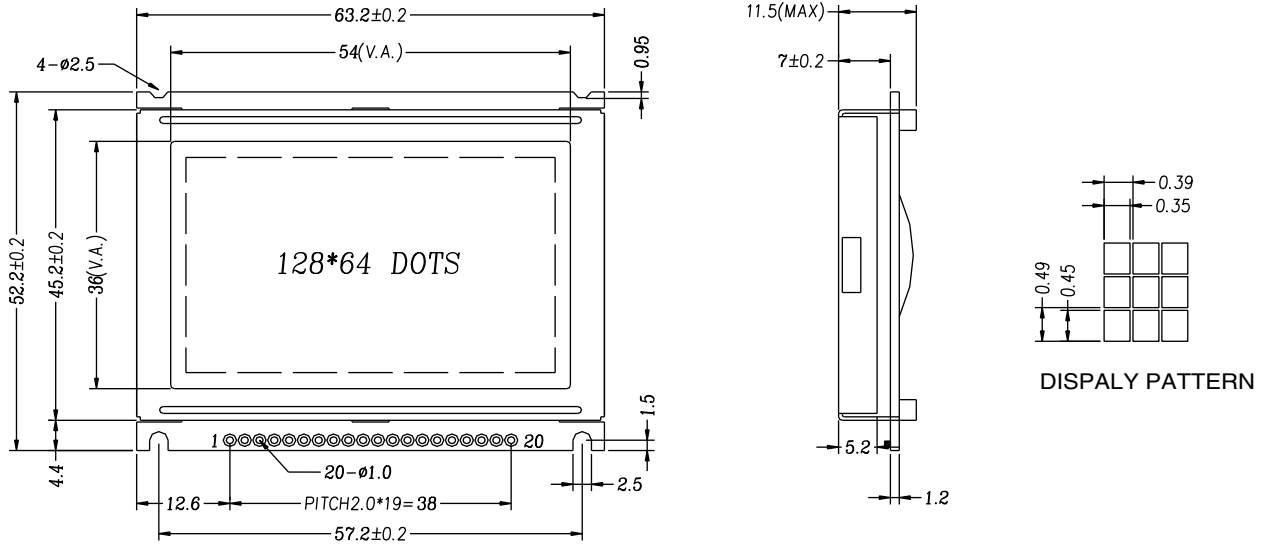
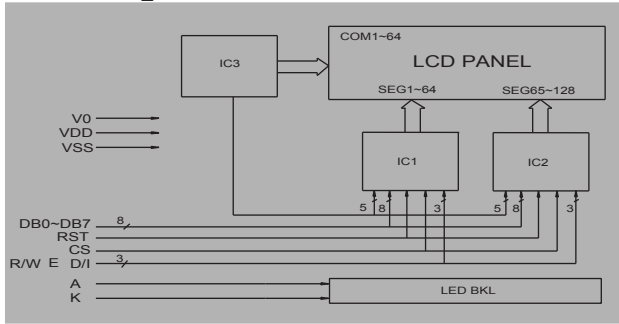




Outline Dimension



Block diagram



Feature

1. 128X64 dots graphic LCD module
2. Built-in controller (NT7108C)
3. 5.0V power supply
4. STN; 1/64 duty; LED B/L or EL B/L

Mechanical Data

Item	Standard	Unit
Module dimension	63.2x52.2	mm
Viewing area	54.0x36.0	mm
Dot size	0.35x0.45	mm
Dot pitch	0.39x0.49	mm

Interface pin connections

PIN NO	Symbol	Function
1	VDD □	+5V
2	VSS □	GND
3	V0 □	Constrast adjustment
4 to 11	DB0 to DB7	H/L Data bus line
12	CS2	Chip select for IC2
13	CS1	Chip select for IC1
14	RST	Reset signal
15	R/W	H/L Read/Write signal
16	D/I	H/L H: Data,L:Instruction code
17	E	H/L Enable signal
18	NC	
19	A	Power supply for BKL(4.2V)
20	K	Power supply for B/L(GND)

Absolute Maximum Rating

Item	Symbol	Standard			Unit
		Min	Typ	Max	
Power supply	VDD-VSS	-0.3	-----	5.5	V
Input voltage	VI	-0.3	-----	VDD	

Electronical characteristics

Item	Symbol	Condition	Standard			Unit
			Min	Typ	Max	
Input voltage	VDD	+5V	4.7	5.0	5.5	V
Supply current	I _{DD}	VDD=5V	-----	6	-----	mA
Recommended LCD driving voltage for normal temp version module	VDD-V0	-20°C	-----	-----	-----	V
		0 °C	-----	8.4	-----	
		25°C	-----	8.2	-----	
		50°C	-----	8.0	-----	
LED forward voltage	V _F	25°C	-----	4.2	4.5	V
LED forward current	I _F	25°C	-----	300	-----	mA
EL power supply current	I _{EL}	V _{EL} =110V AC 400Hz	-----	8	-----	mA